



5535 sectional (-27 & -265) in Fabric 962-80



5535 sectional (-27 & -265) in Fabric 962-80

FLEXSTEEL®

© Flexsteel Industries, Inc. | Last Updated 08/24

	17			
	18			
	255			
	265			
	27			
	28			
	33			
	34	19		
25	37	231		
26	38	29	23	

FEATURES

- Flexsteel Spring Unit
 - Blue-Ribbon
 - C-Flex
 - Sinuous Wire
 - Back Construction
 - Semi-Attached
 - Seat Cushion(s)
 - Luxury (LC)
 - Plush (PC)
 - Tailoring
 - Arm Covers
 - Wood Finish
 - Valencia (V)
- All other wood finish options are available.*

- Standard
- Optional

PRODUCT DIMENSIONS

	OVERALL			SEAT			Arm Height
	Height	Width	Depth	Height	Width	Depth	
LAF Chair -17	38"	35"	35"	21"	25"	20"	26"
RAF Chair -18	38"	35"	35"	21"	25"	20"	26"
Armless Chair -19	38"	26"	35"	21"	26"	20"	
Full Wedge -23	38"	60"	39"	21"	49"	24"	
Corner Chair -231	38"	37"	35"	21"	20"	20"	
LAF Chaise -25	38"	35"	66"	21"	26"	50"	26"
LAF Angled Chaise -255	38"	66"	53"	21"	39"	35"	26"
RAF Chaise -26	38"	35"	66"	21"	26"	50"	26"
RAF Angled Chaise -265	38"	66"	53"	21"	39"	35"	26"
LAF Loveseat -27	38"	60"	35"	21"	50"	20"	26"
RAF Loveseat -28	38"	60"	35"	21"	50"	20"	26"
Armless Loveseat -29	38"	51"	35"	21"	51"	20"	
LAF Corner Sofa -33	38"	94"	35"	21"	70"	20"	26"
RAF Corner Sofa -34	38"	94"	35"	21"	70"	20"	26"
LAF Sofa -37	38"	85"	35"	21"	75"	20"	26"
RAF Sofa -38	38"	85"	35"	21"	75"	20"	26"

Accent Pillows Included:

- Angled Chaise with 08P-91 (2)
- Chair with 08P-91 (1)
- Chaise with 08P-91 (1)
- Corner Chair with 08P-91 (2)
- Corner Sofa with 08P-91 (2) & 08P-91 (1)
- Full Wedge with 08P-91 (2)
- Loveseat with 08P-91 (1)
- Sofa with 08P-91 (1)



Connecting Clips

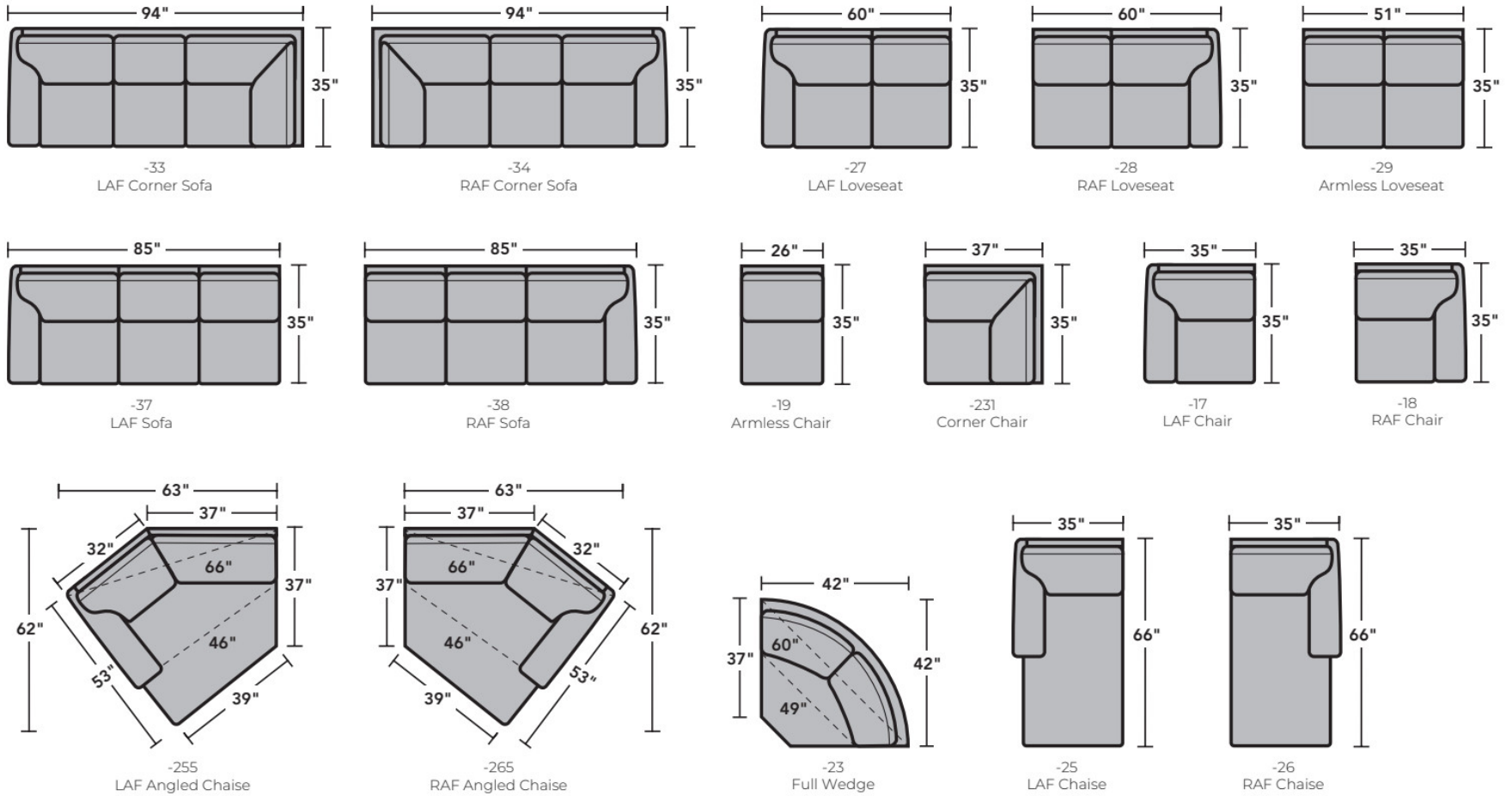
A connecting clip is attached to one sectional piece to allow the frame of a second piece to slide neatly down into the clip to secure the two pieces together.

5535 Thornton Sectional | Components & Configurations

Sectionals

Components

LAF = Left-Arm-Facing
 RAF = Right-Arm-Facing



Scale 1/4"=1'

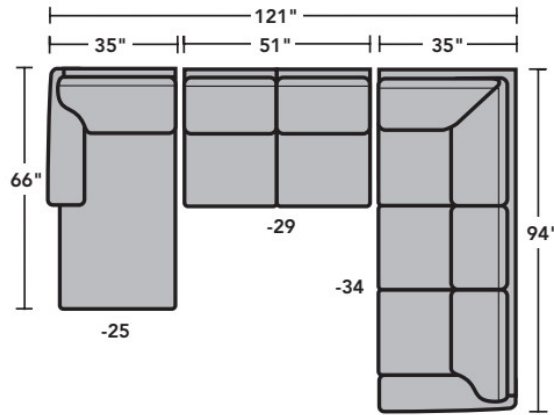
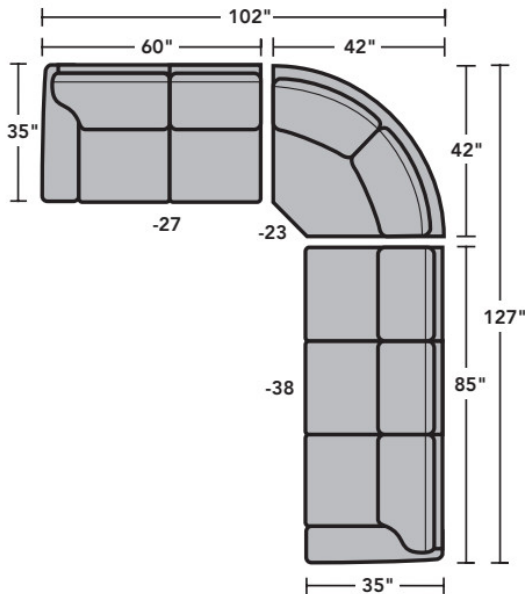
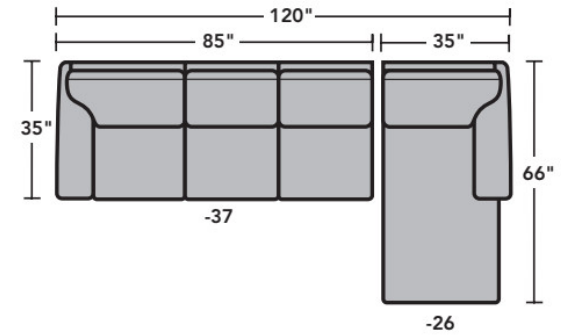
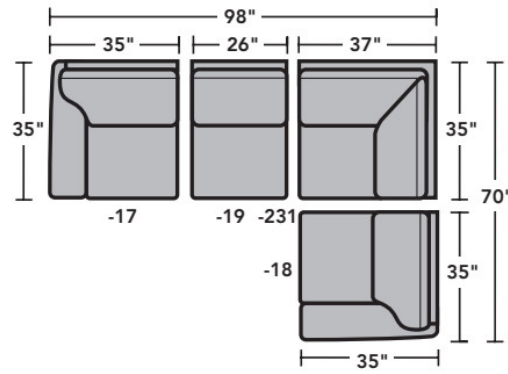
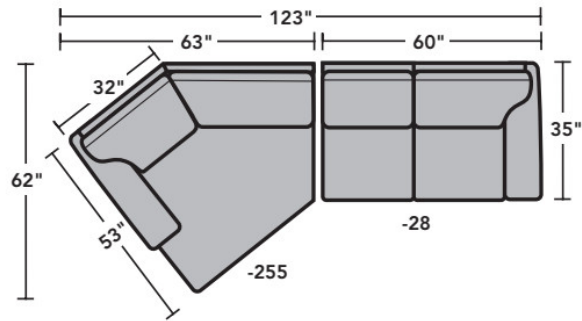
Dimensions are in inches and are subject to variance.
 © Flexsteel Industries, Inc. 01/2024
 FLX-CP-FS-CC-5535

FLEXSTEEL®

5535 Thornton Sectional | Components & Configurations

Sectionals

Sample Configurations



Scale 1/4"=1'

Dimensions are in inches and are subject to variance.
© Flexsteel Industries, Inc. 01/2024
FLX-CP-FS-CC-5535

FLEXSTEEL®