



5536-SECT in Fabric 720-80



5536-SECT in Fabric 720-80

FLEXSTEEL®

© Flexsteel Industries, Inc. | Last Updated 08/24

	38		
	37		
	34		
	33		
	28		
	27		
	265		
	255		
26	17	29	
25	18	231	23

FEATURES

- Flexsteel Spring Unit
- Blue-Ribbon
- C-Flex
- Sinuous Wire
- Back Construction
- Semi-Attached
- Seat Cushion(s)
- Luxury (LC)
- Plush (PC)
- Tailoring
- Arm Covers
- Wood Finish
- Florentine (F)
- All other wood finish options are available.*
- Nailhead Trim
- Black Nickel (D)

- Standard
- Optional

PRODUCT DIMENSIONS	OVERALL			SEAT			Arm Height
	Height	Width	Depth	Height	Width	Depth	
RAF Sofa -38	38"	85"	35"	21"	75"	20"	26"
LAF Sofa -37	38"	85"	35"	21"	75"	20"	26"
RAF Corner Sofa -34	38"	94"	35"	21"	70"	20"	26"
LAF Corner Sofa -33	38"	94"	35"	21"	70"	20"	26"
Armless Loveseat -29	38"	51"	35"	21"	51"	20"	
RAF Loveseat -28	38"	60"	35"	21"	50"	20"	26"
LAF Loveseat -27	38"	60"	35"	21"	50"	20"	26"
RAF Chaise -26	38"	37"	66"	21"	27"	50"	26"
RAF Angled Chaise -265	38"	66"	53"	21"	39"	35"	26"
LAF Angled Chaise -255	38"	66"	53"	21"	39"	35"	26"
LAF Chaise -25	38"	37"	66"	21"	27"	50"	26"
Corner Chair -231	38"	37"	35"	21"	20"	20"	
Full Wedge -23	38"	60"	39"	21"	49"	20"	
Armless Chair -19	38"	26"	37"	21"	26"	20"	
LAF Chair -17	38"	35"	35"	21"	25"	20"	26"
RAF Chair -18	38"	35"	35"	21"	25"	20"	26"

Accent Pillows Included:
 Angled Chaise with 08P-91 (2)
 Chair with 08P-91 (1)
 Chaise with 08P-91 (1)
 Corner Chair with 08P-91 (2)
 Corner Sofa with 08P-91 (2) & 08P-91 (1)
 Full Wedge with 08P-91 (2)
 Loveseat with 08P-91 (1)
 Sofa with 08P-91 (1)



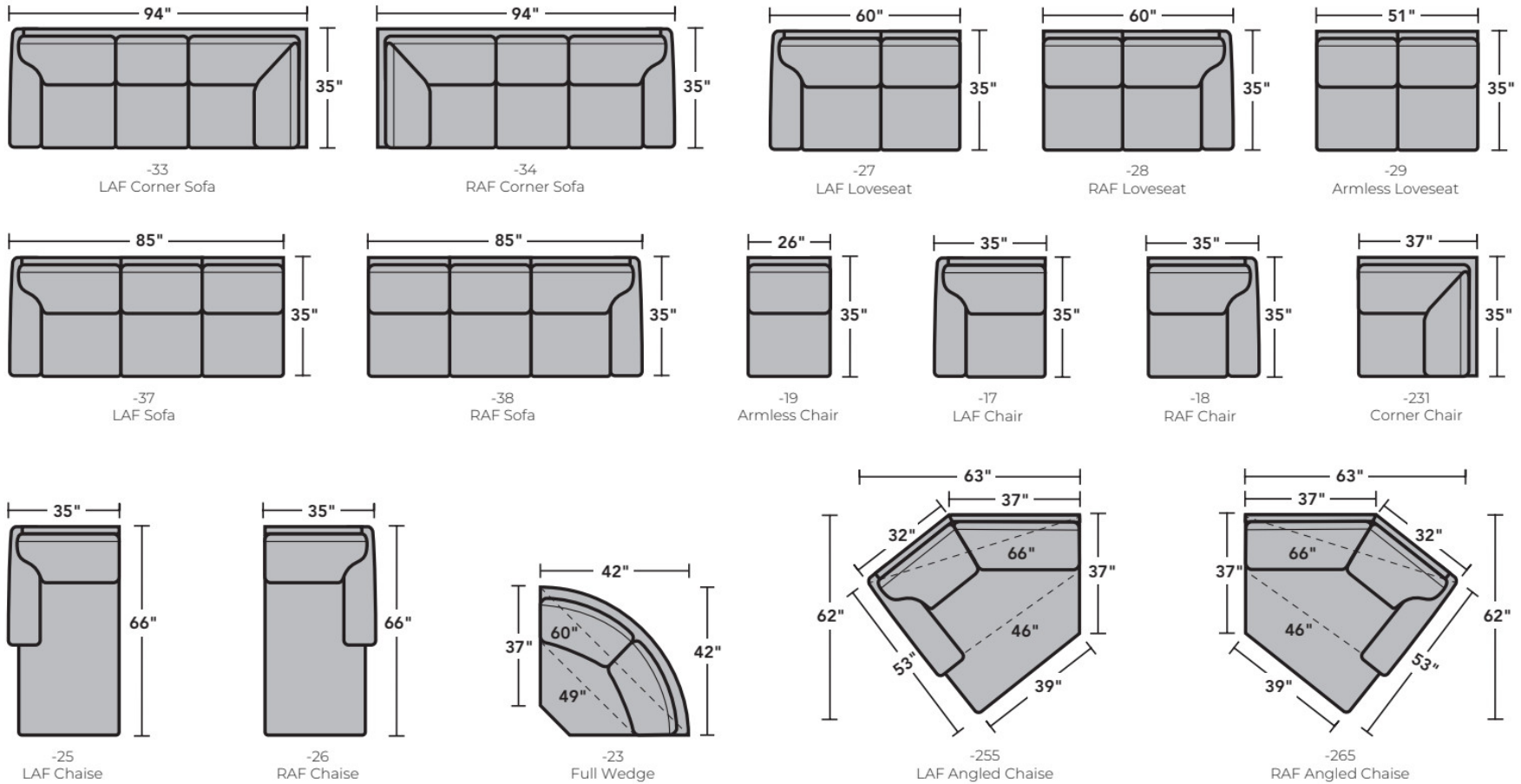
Connecting Clips
 A connecting clip is attached to one sectional piece to allow the frame of a second piece to slide neatly down into the clip to secure the two pieces together.

5536 & 5538 Preston Sectionals | Components & Configurations

Sectionals

Components

LAF = Left-Arm-Facing
 RAF = Right-Arm-Facing



Scale 1/4"=1'

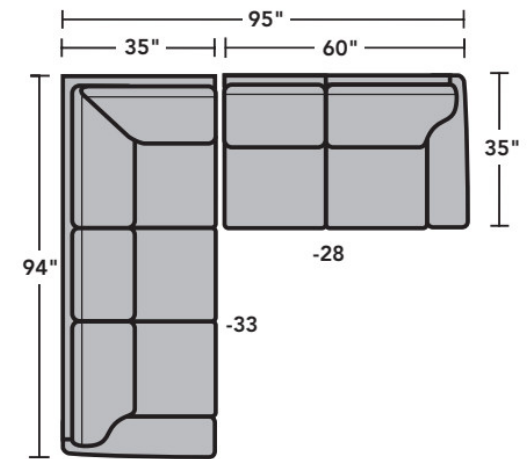
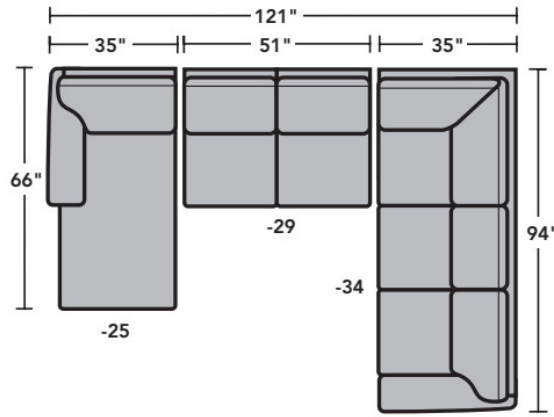
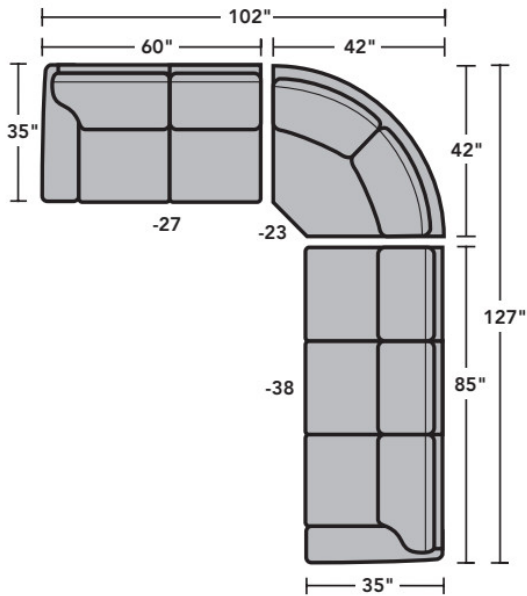
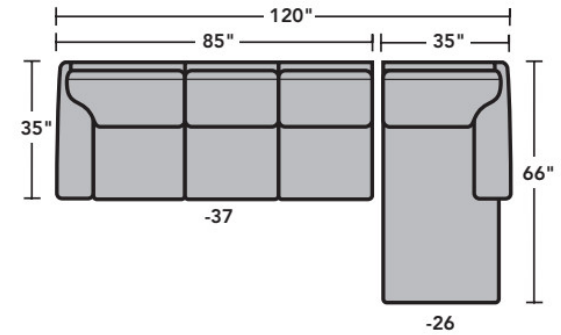
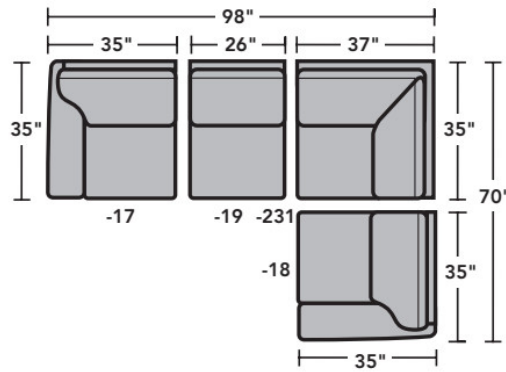
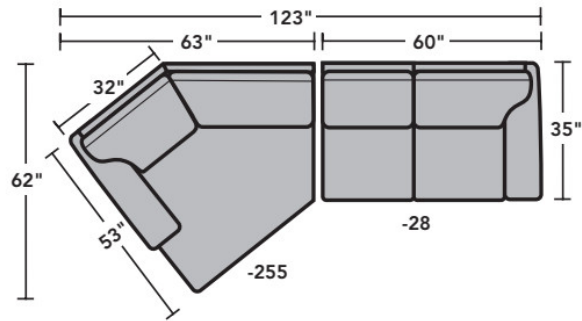
Dimensions are in inches and are subject to variance.
 © Flexsteel Industries, Inc. 4/23
 FLX-CP-FR-CC-5536-5538

FLEXSTEEL®

5536 & 5538 Preston Sectionals | Components & Configurations

Sectionals

Sample Configurations



Scale 1/4"=1'

Dimensions are in inches and are subject to variance.
© Flexsteel Industries, Inc. 4/23
FLX-CP-FR-CC-5536-5538

FLEXSTEEL®