



3904-SECTPH in leather 824-11

FLEXSTEEL®

© Flexsteel Industries, Inc. | Last Updated 08/24

Rio | 3904

LEATHER

59H
58H
57H
19

23

FEATURES

- Flexsteel Spring Unit
- DualFlex
- Sinuous Wire
- Back Construction Attached
- Seat Construction Attached
- Seat Cushion(s) High-Density (HC)

- Standard
- Optional

PRODUCT DIMENSIONS

	OVERALL			SEAT			Arm Height	Open Depth	Wall Clearance
	Height	Width	Depth	Height	Width	Depth			
Straight Console -72	42"	10"	39"	24"	9"	3"			
Armless Power Recliner with Power Headrest -59H	42"	26"	39"	20"	26"	21"		67"	5"
RAF Power Recliner with Power Headrest -58H	42"	31"	39"	20"	24"	21"	24"	68"	5"
LAF Power Recliner with Power Headrest -57H	42"	31"	39"	20"	24"	21"	24"	68"	5"
Armless Chair -19	42"	27"	39"	20"	27"	21"			
Full Wedge -23	42"	64"	39"	20"	41"	21"			

NOTES

The power control allows you to independently adjust the recline and headrest.

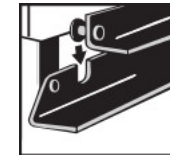
A separate home button returns the headrest and footrest to their original positions with one touch.

A USB port is included on the power control for powering electronics.

Zero draw technology only uses power when the USB port is in use.



Power Recline & Headrest



Interlocking Brackets

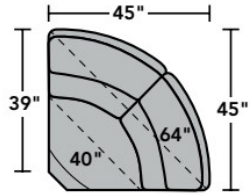
Interlocking brackets securely attach one sectional component to another to prevent them from separating even when reclining.

3904 Rio | Components & Configurations

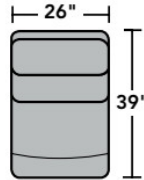
Sectionals

Components

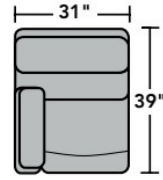
LAF = Left-Arm-Facing
 RAF = Right-Arm-Facing



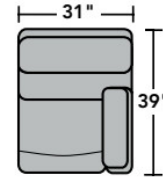
-23
Full Wedge



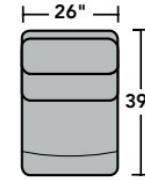
-19
Armless Chair



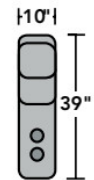
-57
LAF Recliner
-57M
LAF Power Recliner
-57H
LAF Power Recliner
with Power Headrest



-58
RAF Recliner
-58M
RAF Power Recliner
-58H
RAF Power Recliner
with Power Headrest

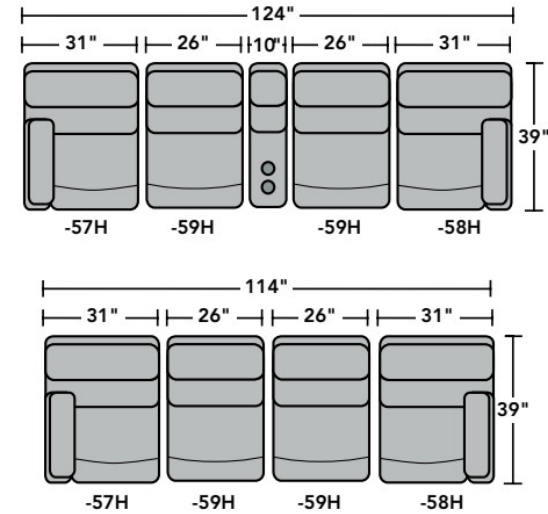
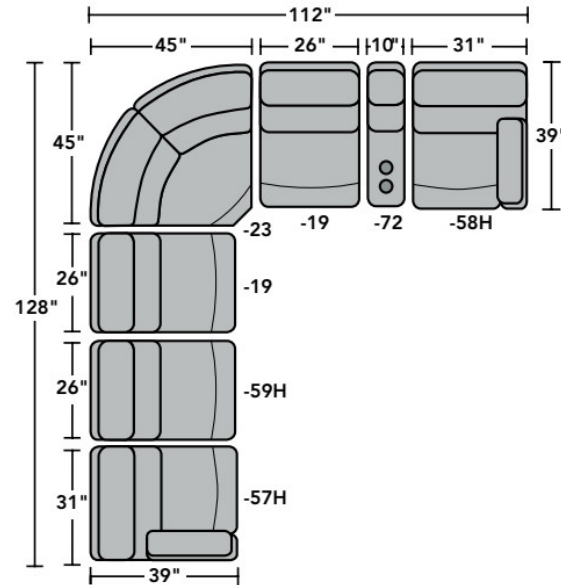
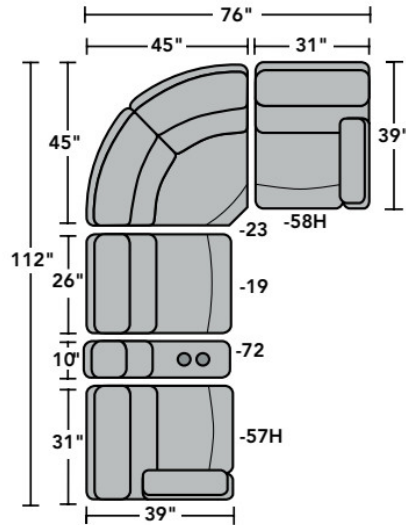


-59
Armless Recliner
-59M
Armless Power Recliner
-59H
Armless Power Recliner
with Power Headrest



-72
Straight Console

Sample Configurations



Scale 1/4"=1'

Dimensions are in inches and are subject to variance.
 © Flexsteel Industries, Inc. 7/22
 FLX-CP-FR-CC-3904

FLEXSTEEL®