



3904-SECTP in leather 824-11

19
23
57
58
59

FEATURES

- Flexsteel Spring Unit DualFlex
- Back Construction Attached
- Seat Construction Attached
- Seat Cushion(s) High-Density (HC)

- Standard
- Optional

PRODUCT DIMENSIONS

	OVERALL			SEAT			Arm Height	Open Depth	Wall Clearance
	Height	Width	Depth	Height	Width	Depth			
Armless Chair -19	42"	27"	39"	20"	27"	21"			
Full Wedge -23	42"	64"	39"	20"	41"	21"			
LAF Recliner -57	42"	31"	39"	20"	24"	21"	24"	68"	5"
RAF Recliner -58	42"	31"	39"	20"	24"	21"	24"	68"	5"
Armless Recliner -59	42"	26"	39"	20"	26"	21"		67"	5"
Straight Console -72	42"	10"	39"	24"	9"	3"			

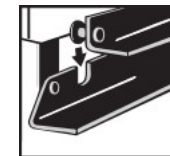
NOTES

Available in more than 99 leather options

Also available in Kashmira fabric

Straight console features two cup holders.

Removable backs allow for easy lifting and maneuvering through doorways.



Interlocking Brackets

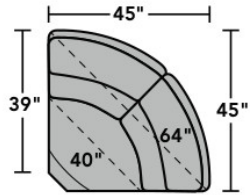
Interlocking brackets securely attach one sectional component to another to prevent them from separating even when reclining.

3904 Rio Sectional | Components & Configurations

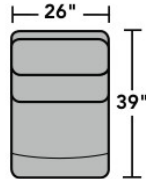
Reclining Sofas & Sectionals

Components

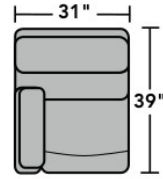
LAF = Left-Arm-Facing
RAF = Right-Arm-Facing



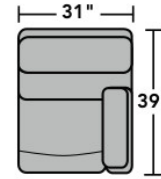
3904-23
Full Wedge



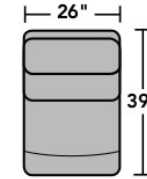
3904-19
Armless Chair



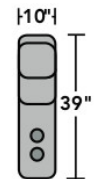
3904-57
LAF Recliner
3904-57M
LAF Power Recliner
3904-57H
LAF Power Recliner
with Power Headrest



3904-58
RAF Recliner
3904-58M
RAF Power Recliner
3904-58H
RAF Power Recliner
with Power Headrest

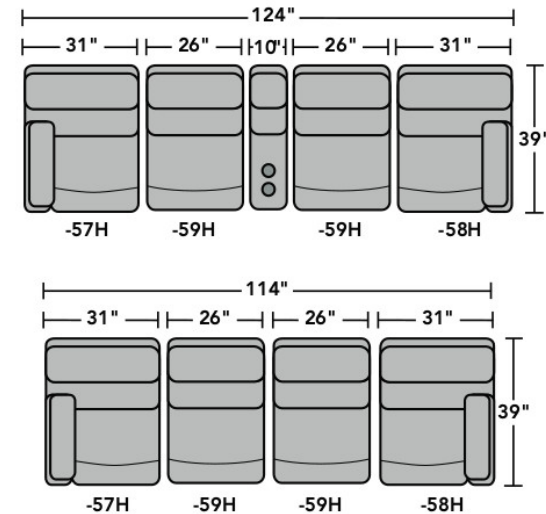
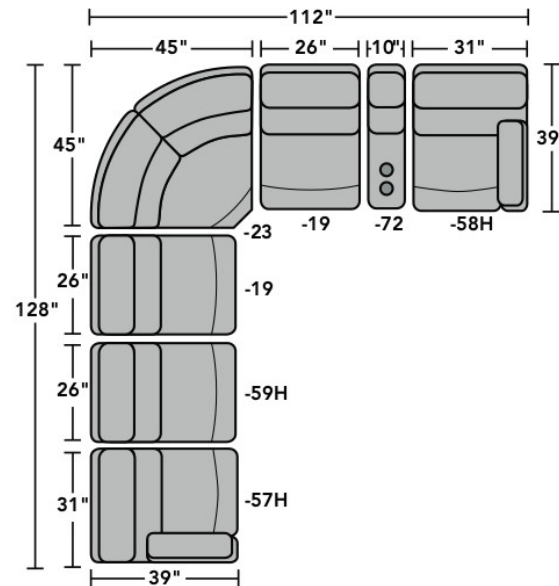
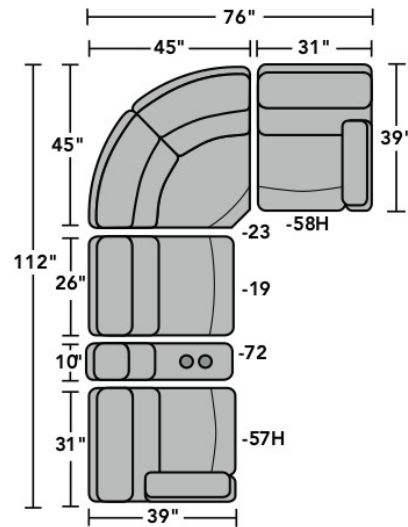


3904-59
Armless Recliner
3904-59M
Armless Power Recliner
3904-59H
Armless Power Recliner
with Power Headrest



3904-72
Straight Console

Sample Configurations



Scale 1/4" = 1'

Dimensions are in inches and are subject to variance.
© Flexsteel Industries, Inc. 10/18 | Rev. 12/20
FLX-CP-FR-CC-3904

