



2902-SECTP (57M, 59M, 23, 19, 58M) in 959-80

FLEXSTEEL®

© Flexsteel Industries, Inc. | Last Updated 08/24

19 59M	58M 57M	23
●	●	●
●	●	●
●	●	●
●	●	●
○		

FEATURES

- Flexsteel Spring Unit
- DualFlex
- Sinusus Wire
- Back Construction
- Attached
- Seat Construction
- Attached
- Seat Cushion(s)
- High-Density (HC)
- Tailoring
- Arm Covers

- Standard
- Optional

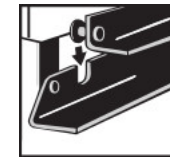
PRODUCT DIMENSIONS

	OVERALL			SEAT			Arm Height	Open Depth	Wall Clearance
	Height	Width	Depth	Height	Width	Depth			
Straight Console -72	43"	9"	39"	24"	9"	24"			
Full Wedge -23	43"	64"	39"	23"	42"	25"			
Armless Chair -19	43"	27"	39"	23"	27"	21"			
Armless Power Recliner -59M	43"	27"	39"	23"	27"	21"	68"	5"	
RAF Power Recliner -58M	43"	33"	39"	23"	27"	21"	26"	68"	7"
LAF Power Recliner -57M	43"	33"	39"	23"	27"	21"	26"	68"	7"

NOTES

Power allows you to smoothly recline to any position.

A single USB port is included on each power button control on styles with arms.



Interlocking Brackets

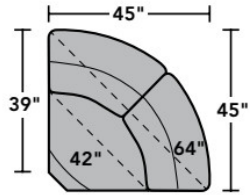
Interlocking brackets securely attach one sectional component to another to prevent them from separating even when reclining.

2902 Davis Sectional | Components & Configurations

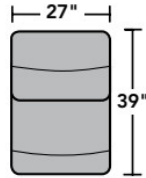
Reclining Sofas & Sectionals

Components

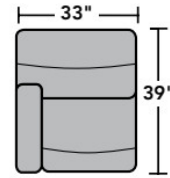
LAF = Left-Arm-Facing
RAF = Right-Arm-Facing



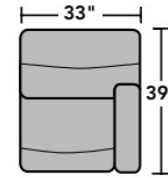
2902-23
Full Wedge



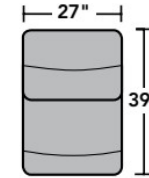
2902-19
Armless Chair



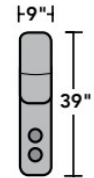
2902-57
LAF Recliner
2902-57M
LAF Power Recliner
2902-57H
LAF Power Recliner
with Power Headrest



2902-58
RAF Recliner
2902-58M
RAF Power Recliner
2902-58H
RAF Power Recliner
with Power Headrest

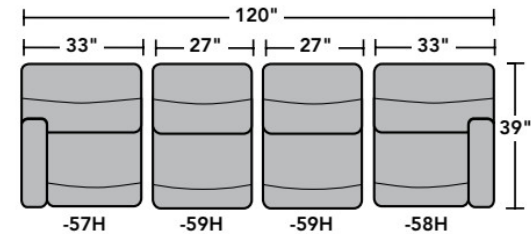
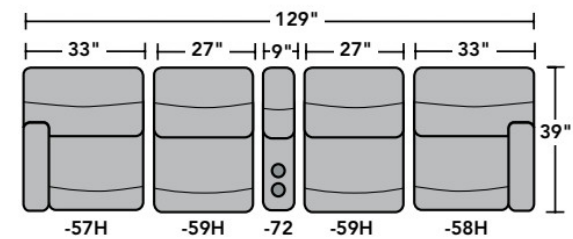
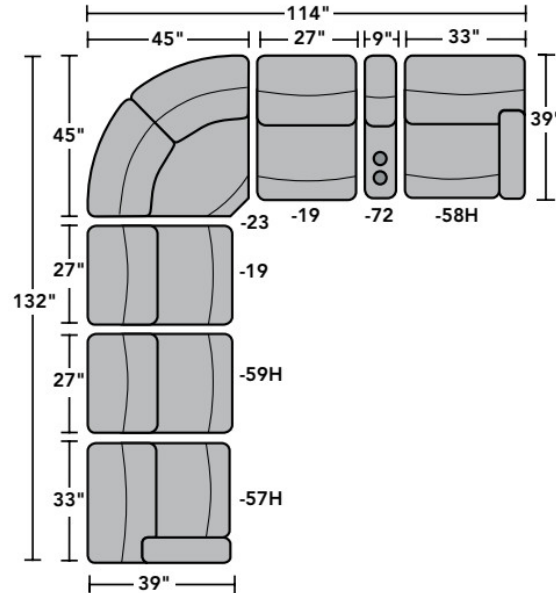
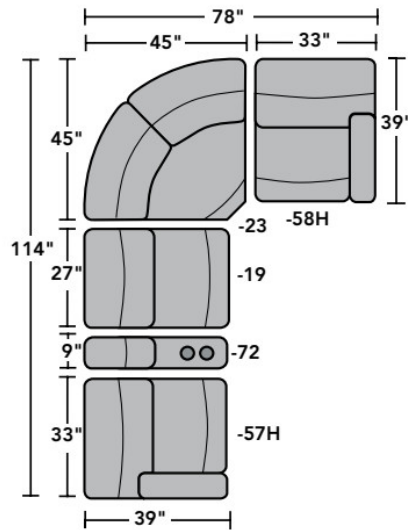


2902-59
Armless Recliner
2902-59M
Armless Power Recliner
2902-59H
Armless Power Recliner
with Power Headrest



2902-72
Straight Console

Sample Configurations



Scale 1/4" = 1'

Dimensions are in inches and are subject to variance.
© Flexsteel Industries, Inc. 10/18 | Rev 12/20
FLX-CP-FR-CC-2902



FLEXSTEEL®