



2902-SECT (57, 19, 23, 59, 58) in fabric 959-80



2902-SECT in Fabric 650-04

FLEXSTEEL®

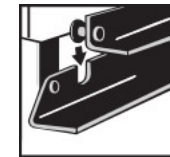
© Flexsteel Industries, Inc. | Last Updated 06/24

59 19	58 57	23	FEATURES
●	●	●	Flexsteel Spring Unit
●	●	●	DualFlex
●	●	●	Sinusoidal Wire
●	●	●	Back Construction
●	●	●	Attached
●	●	●	Seat Construction
●	●	●	Attached
●	●	●	Seat Cushion(s)
●	●	●	High-Density (HC)
	○		Tailoring
	○		Arm Covers

- Standard
- Optional

PRODUCT DIMENSIONS

	OVERALL			SEAT			Arm Height	Open Depth	Wall Clearance
	Height	Width	Depth	Height	Width	Depth			
Straight Console -72	43"	9"	39"	24"	9"	24"			
Armless Recliner -59	43"	27"	39"	23"	27"	21"		68"	5"
RAF Recliner -58	43"	33"	39"	23"	27"	21"	26"	68"	7"
LAF Recliner -57	43"	33"	39"	23"	27"	21"	26"	68"	7"
Full Wedge -23	43"	64"	39"	23"	42"	25"			
Armless Chair -19	43"	27"	39"	23"	27"	21"			



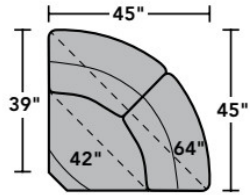
Interlocking Brackets
Interlocking brackets securely attach one sectional component to another to prevent them from separating even when reclining.

2902 Davis Sectional | Components & Configurations

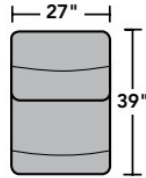
Reclining Sofas & Sectionals

Components

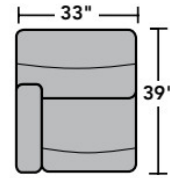
LAF = Left-Arm-Facing
RAF = Right-Arm-Facing



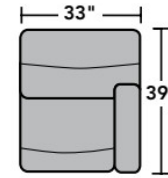
2902-23
Full Wedge



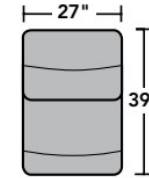
2902-19
Armless Chair



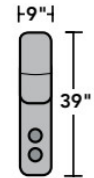
2902-57
LAF Recliner
2902-57M
LAF Power Recliner
2902-57H
LAF Power Recliner
with Power Headrest



2902-58
RAF Recliner
2902-58M
RAF Power Recliner
2902-58H
RAF Power Recliner
with Power Headrest

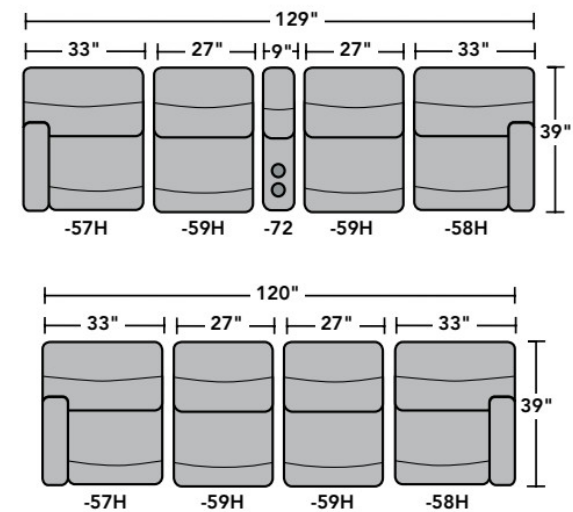
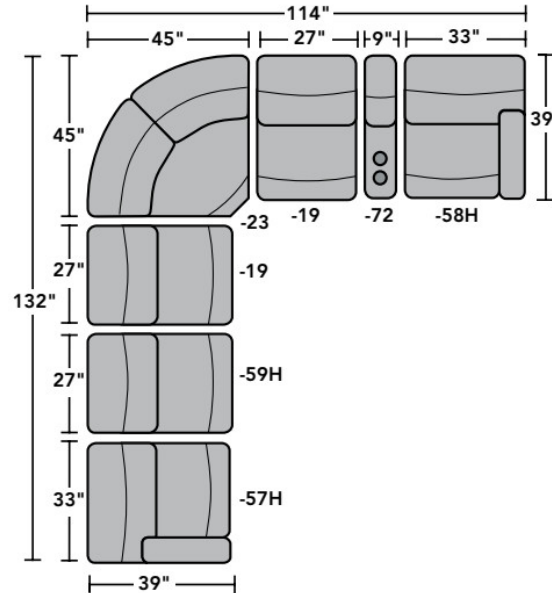
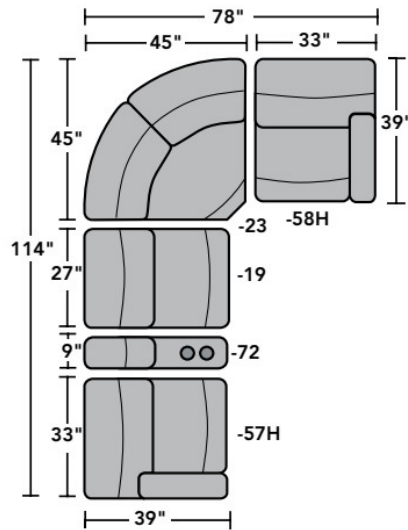


2902-59
Armless Recliner
2902-59M
Armless Power Recliner
2902-59H
Armless Power Recliner
with Power Headrest



2902-72
Straight Console

Sample Configurations



Scale 1/4" = 1'

Dimensions are in inches and are subject to variance.
© Flexsteel Industries, Inc. 10/18 | Rev 12/20
FLX-CP-FR-CC-2902



FLEXSTEEL®